



Required Guidelines

X

Distance between hole edge and glass edge:

- All glass thickness — 1.5x the glass thickness;
- 15-19mm thickness — 2.0x the glass thickness.

A

Distance between hole edge and glass corner point shall be at least 4.0x the glass thickness.

B

Distance between holes shall be no less than 4.0x the glass thickness.

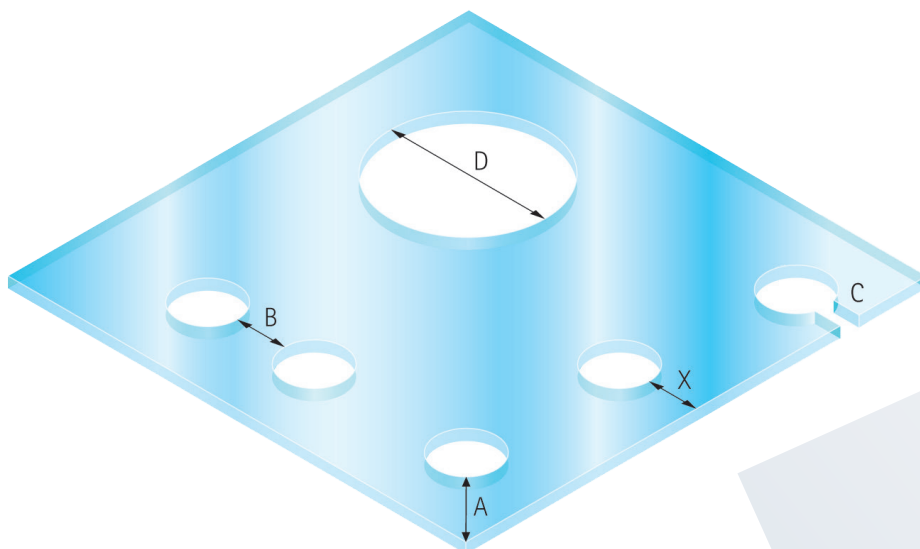
C

If a hole is placed in a position closer than the above recommendations, a saw cut slot can be made to minimise the stresses and chances of breakages. Width of slot shall be at least 1/2 the glass thickness and hole radius must be the same as glass thickness.

D

Diameter of hole shall be:

- No less than the glass thickness
- no greater than 1/3 of the panel's measurement at its narrowest point.



Drilled Hole Guideline Locations



FLAT GLASS INDUSTRIES
SUPERIOR GLASS SOLUTIONS

When identifying the surface for coating placement in IGU's or Custom Laminates you will be asked to confirm surface number placement.

Surface #1 = Outside

Surface #2 = Inside of unit, of Outside Panel

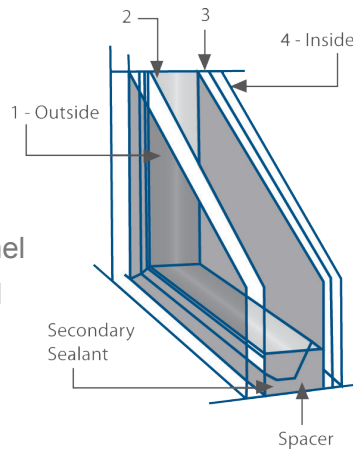
Surface #3 = Inside of unit, of Inside Panel

Surface #4 = Inside

Identify Spacer Colour/Type = Metal

Identify Spacer Width

Identify Secondary Sealer Type = Polysulphide/Silicone



IGU Makeup



3mm	=	7.5 KG/m ²
4mm	=	10 KG/m ²
5mm	=	12.5 KG/m ²
6mm	=	15 KG/m ²
8mm	=	20 KG/m ²
10mm	=	25 KG/m ²
12mm	=	30 KG/m ²
15mm	=	37.5 KG/m ²
19mm	=	47.5 KG/m ²

How to calculate glass weight